

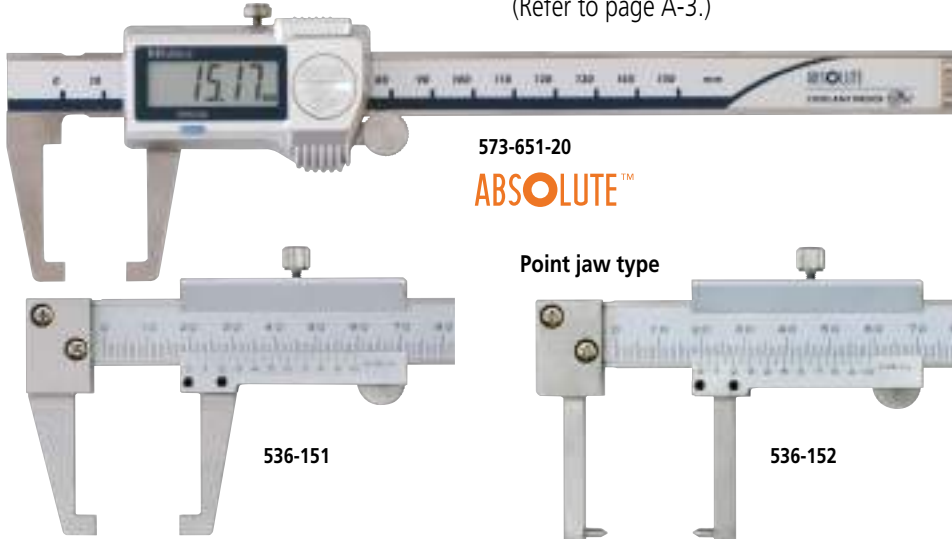
Calipers

An industry standard measuring tool

Neck Caliper SERIES 573, 536 — ABSOLUTE Digimatic and vernier types

MeasurLink[®] ENABLED
Data Management Software by Mitutoyo

- Can measure wall thickness inside bores and recesses.
- Digimatic models are an IP67 Absolute type. Slider action is smooth, firm and comfortable.
- Allows integration into statistical process control and measurement systems for models with measurement data output connector. (Refer to page A-3.)



SPECIFICATIONS

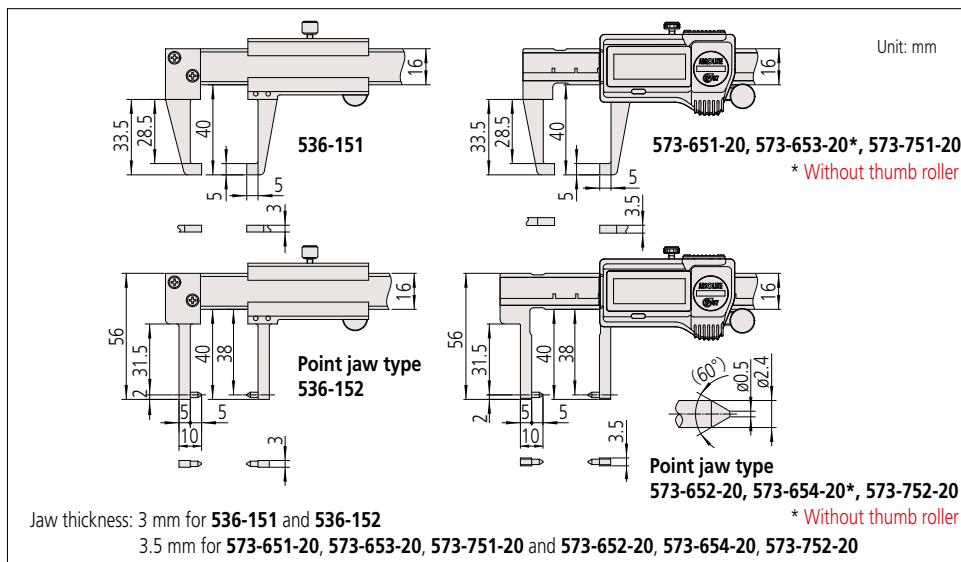
Metric		Digimatic model	
Order No.	Range (mm)	Maximum permissible error (mm) ^{*3}	
		EMPE	SMPE
573-651-20	0 - 150	±0.03	
573-652-20 ^{*1}	0 - 150	±0.03	
573-653-20 ^{*2}	0 - 150	±0.03	
573-654-20 ^{*1+2}	0 - 150	±0.03	

Inch / Metric		Digimatic model	
Order No.	Range (in)	Maximum permissible error (in) ^{*3}	
		EMPE	SMPE
573-751-20	0 - 6	±0.0015	
573-752-20 ^{*1}	0 - 6	±0.0015	

Metric		Analog model	
Order No.	Range (mm)	Maximum permissible error (mm) ^{*3}	
		EMPE	SMPE
536-151	0 - 150	±0.05	
536-152 ^{*1}	0 - 150	±0.05	

- *1 Point jaw type
- *2 Without thumb roller
- *3 Partial Surface Contact Error, EMPE and Shift Error, SMPE are terms (notations) used in ISO 13385-1:2019.

DIMENSIONS



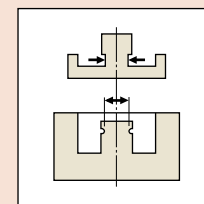
MeasurLink[®] ENABLED
Data Management Software by Mitutoyo

Products equipped with the measurement data output function can be connected to the measurement data network system MeasurLink[®] (refer to page A-25 for details).



Dust- and Water- Protected

www.mitutoyo.com
ID 0000045042



Technical Data

- Resolution^{*1}: 0.01 mm or 0.0005 in/0.01 mm
 - Graduation^{*2}: 0.05 mm
 - Display^{*1}: LCD
 - Scale type^{*1}: ABSOLUTE electromagnetic induction linear encoder
 - Max. response speed^{*1}: Unlimited
 - Battery: SR44 (1 pc.), **938882**, for initial operational checks (standard accessory)
 - Battery life^{*1}: Approx. 5 years under normal use
 - Dust/Water protection level^{*1}: IP67 (IEC 60529)^{*3}
- ^{*1} Digimatic models
^{*2} Analog models
^{*3} Rustproofing shall be applied after use if caliper was in contact with coolant.

Optional Accessories for Digimatic Models

- For details, refer to page A-21.
- Connecting cables for **IT / DP / MUX**
 - 05CZA624**: SPC cable with data button (1 m)
 - 05CZA625**: SPC cable with data button (2 m)
 - USB Input Tool Direct
 - 06AFM380A**: SPC cable for **USB-ITN-A** (2 m)
 - Connecting cables for **U-WAVE-T**
 - 02AZD790A**: SPC cable with data button (160 mm)
 - 02AZE140A**: SPC cable for foot switch

Wireless Data Output **U-WAVE**^{fit}

- **U-WAVE-TC**: **264-620** (IP67 type)
264-621 (Buzzer type)
- **U-WAVE-TCB Transmitter (Mitutoyo Bluetooth[®] U-WAVE)**
264-624 (IP67 type)
264-625 (Buzzer type)
Refer to page A-10 for details.
- Connecting unit for **U-WAVE-TC/TCB**
02AZF310 (IP67 type)
Note: IP67 model is water/dust-proofed suitable for the factory floor.
Buzzer type is not water/dust-proofed.
Refer to pages A-10 and A-12 for details.